

# CW1500A Series GunJet® Spray Gun

USER GUIDE



**Spraying Systems Co.®**  
Experts in Spray Technology

MI-CW1500A  
[spray.com](http://spray.com)

# CONTENTS

---

INTRODUCTION.....	2
WARNINGS & PRECAUTIONS .....	3
INSTALLATION.....	5
MAINTENANCE.....	5

## INTRODUCTION

---

The Model CW1500A- GunJet® is a high-pressure spray gun that offers exceptional operator control, even at maximum flow and pressure conditions. A bottom pivot trigger reduces operator fatigue by making trigger pull easier. The shut-off valve is located in the base of the handle, concentrating heat away from the operator's hand and slowing heat build-up. The Model CW1500AW- incorporates a continuous "Weep" feature to minimize the chance of freezing and, with the exception of the valve seat sub-assembly, the CW1500A- and CW1500AW- GunJet spray guns are identical and require the same installation and operating procedures. The Model CW1500A- and CW1500AW- GunJet spray guns will accommodate standard Spraying Systems Co. accessories for both the inlet and the outlet connections, within the accessories pressure and temperature limitations.

### Features of the Model CW1500A Series GunJet spray guns:

- Operating pressure range — up to 1500 psi (104 bar).
- Maximum recommended temperature — 300° F (150° C).
- Forged Brass Inlet Body.
- Stainless Steel shut-off.
- PTFE Back-Up Rings.\*
- Viton® O-rings.\*
- Handle design helps to control reactionary force during trigger actuation.

\* Viton is a registered trademark of DuPont Performance Elastomers



# WARNINGS & PRECAUTIONS

---

## **IMPORTANT: READ ALL INSTRUCTIONS BEFORE USING SPRAY GUN**

THIS IS A HIGH-PRESSURE DEVICE WHICH SHOULD ONLY BE USED IN A PROPERLY ENGINEERED SYSTEM. THIS SPRAY GUN SHOULD BE OPERATED ONLY BY TRAINED OPERATORS AND KEPT OUT OF REACH OF CHILDREN. PLEASE READ THE FOLLOWING INSTRUCTION SHEETS BEFORE ATTEMPTING TO OPERATE THE CW1500A- OR CW1500AW- HIGH PRESSURE GUNJET SPRAY GUNS.

**HEED ALL THESE WARNINGS** or serious and permanent injury may result.

**GENERAL WARNING FOR HIGH PRESSURE SPRAY GUNS: IF THE OPERATING PRESSURE IS BETWEEN 100 PSIG (0.69 MPA) AND 3200 PSIG (22.06 MPA), THEN AN EXTENSION OR WAND SHOULD BE USED THAT SEPARATES THE DISCHARGE NOZZLE A MINIMUM OF 29.5 INCHES (750 MM) FROM THE TRIGGER MECHANISM. DO NOT ASSEMBLE DISCHARGE NOZZLE DIRECTLY INTO THE SPRAY GUN.**

**IF THE OPERATING PRESSURE IS BETWEEN 3200 PSIG (22.06 MPA) AND 5000 PSIG (34.48 MPA), THEN AN EXTENSION OR WAND SHOULD BE USED THAT SEPARATES THE DISCHARGE NOZZLE A MINIMUM OF 4.0 FEET (1.22 M) FROM THE TRIGGER MECHANISM. DO NOT ASSEMBLE DISCHARGE NOZZLE DIRECTLY INTO THE SPRAY GUN.**

1. **DO NOT** aim gun at any person or any part of the body. Fluids under high pressure can penetrate the human skin and can cause severe injury, possibly resulting in amputation or death. Hot liquids and chemicals can also cause burns or injury. If any part of the body comes in contact with the spray stream, immediately consult a physician.
2. **DO NOT** at any time place hand or any other part of the body in front of a spray nozzle or tip.
3. **DO NOT** alter equipment in any manner; if repairs are necessary, use only genuine factory repair parts supplied by **Spraying Systems Co.**<sup>®</sup>
4. **DO NOT** exceed maximum operating pressure of the lowest rated accessory item within the spray system, even though some of the accessories have a higher maximum pressure rating.
5. **DO NOT** leave equipment under pressure unattended at any time. If a pump is used, relieve line pressure by shutting off power to pump, turning off the liquid supply to the pump, and actuating the Trigger until all fluid ceases to flow; then position Trigger Lock to the "locked" position.

6. **DO NOT** use damaged, perforated, or weakened fluid hose.
7. **DO NOT** operate a spray gun if there are any leaks from the packings, fittings, hoses, etc. Fluids which are under high pressure can penetrate skin, cloth, etc. and cause serious injury.
8. **DO NOT** touch any metal parts of the gun or accessories when spraying hot liquids or severe injury can occur.
9. **DO NOT** handle a spray gun without a tip or nozzle any differently than one with a tip or nozzle. Even with the tip or nozzle removed, the spray gun can discharge a large volume of liquid at a high velocity.

### **SAFETY SHOULD ALWAYS BE OBSERVED:**

1. **DO** use a “two-handed” control of CW1500A- GunJet® at all times. Grasp spray gun firmly with both hands. If an extension is used, grasp the extension. (Insulated extension if spraying hot liquids).
2. **DO** adopt a secure body stance prior to and during spray operation to safely control the high reactionary force of this unit
3. **DO** impress on other people in the spraying area the importance of obeying strict safety precautions for everyone’s safety.
4. **DO** develop a habit of shutting off the power to the pump, relieving fluid pressure from gun and hose by actuating trigger until all fluid ceases to flow, and setting the Trigger Lock in the locked position, before attempting to remove the tip, nozzle, gun or any part of the gun... or when gun is not in use.
5. **DO** carefully check and tighten threaded connections regularly. Make them secure and leak proof.
6. **DO** flush gun after each spray period, using the same safety precautions as used during spraying operations. Always use the lowest possible pressure of flushing
7. **DO** keep gun clean and dry to allow for positive grip.
8. **DO** use GunJet in a well-ventilated area and make sure spray gun is grounded properly when used in a possibly explosive or inflammable environment. A grounded type hose should be used.

**IMPORTANT: In case of the slightest appearance of skin penetration from spray, CONSULT A PHYSICIAN IMMEDIATELY!!**

# INSTALLATION

---

There is no need to remove the cover from the body unless the coil is changed, or the interior requires cleaning. To ensure that the internal liquid and air connections to the fluid module are maintained leak-free, the following procedures should be observed:

1. **ALL FLUID PRESSURE MUST BE BLED OFF** when replacing the fluid module, or the internal connection will leak.
2. **THE FLUID MODULE SHOULD BE REMOVED FIRST AND REPLACED LAST** if servicing requires the cover to be removed. This allows the cover to be completely tightened during assembly and easily loosened during disassembly.
3. If the cover is removed for any reason, **BE SURE COIL PROJECTIONS ARE SEATED IN THE BODY HOLES SO THAT THE COVER CAN BE COMPLETELY TIGHTENED**. Also, insure that the O-rings at each end of the coil remain intact.
4. **THE COVER MUST BE FULLY TIGHTENED AGAINST THE BODY** since the cover retains the fluid module in place and creates a seal for the air and liquid connections. A loose cover will not allow the proper seals to be made. Tighten cover by hand; wrenching is not required.
5. **FLUID MODULE MUST BE WRENCH TIGHTENED TO INSURE A SEAL.**

# MAINTENANCE

---

With proper care, your CW1500A- Series GunJet® will give you reliable service. To maintain this performance, parts should be inspected regularly and replaced when necessary with genuine **Spraying Systems Co.**® parts.

## DISASSEMBLY PROCEDURE:

If it becomes necessary to rebuild the Valve Assembly (3 - 13) order Spare Parts Kit ABCW1500A-KIT or ABCW1500AW-KIT, follow these steps:

1. Make sure all air, electrical and liquid lines to the pump are turned off.
2. Release all the pressure and liquid (from the hose to GunJet) by operating Trigger until fluid ceases to flow
3. Remove spray gun from hose

4. Remove the five Screws (19) and Housing (18). See Figure 1, Page 7
5. Lift out all internal parts, leaving all parts assembled. Trigger Lock Plug (17) should remain in Housing (18)
6. Clamp the Valve Body (2) and remove Retaining Screw (4) containing Gasket (5), Back-Up Ring (6) and O-ring (7). See Figure 2, Page 7
7. Remove Stem (9), Valve Seat (8) with Back-Up Ring (11) and O-ring (12), as well as Ball (10) and Spring (13).

## **PARTS REPLACEMENT/ASSEMBLY PROCEDURE:**

1. Install new Back-Up Ring (11) and O-ring (12) on new Valve Seat (8).
2. Clamping Valve Body (2) insert the following new parts: Spring (13), Ball (10) and Valve Seat Sub-Assembly (8, 11 & 12) into Valve Body.

***NOTE: Cross-drilled holes in Valve Seat (8) should be in line with inlet of valve body to minimize pressure loss. See "Figure 2".***

3. Remove Gasket (5), O-ring (7), and Back-up Ring (6), from Retaining Screw (4) and replace with new parts.

***IMPORTANT: O-RINGS (7 & 12) AND BACK-UP RINGS (6 & 11) MUST BE INSTALLED IN THE CORRECT POSITION AS SHOWN OR THE SPRAY GUN WILL LEAK AND PERMANENTLY DAMAGE THE O-RINGS. SEE "FIGURE 2".***

4. Insert new Stem (9) through Retaining Screw Sub-Assembly (4 thru 7), inserting rounded end through O-ring (7).
5. Install and tighten Retaining Screw Sub-Assembly and Stem into Valve Body (2) with new Gasket (5).
6. Insert new Spring (3) over Stem (9).
7. Re-assemble into Housing (18).

***NOTE: Be careful not to lose Trigger Spring (3).***



FIGURE 1

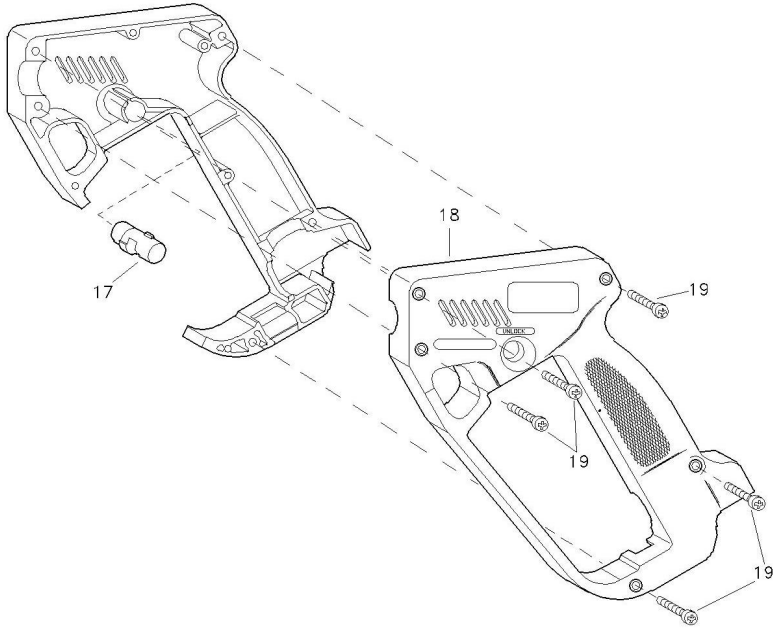
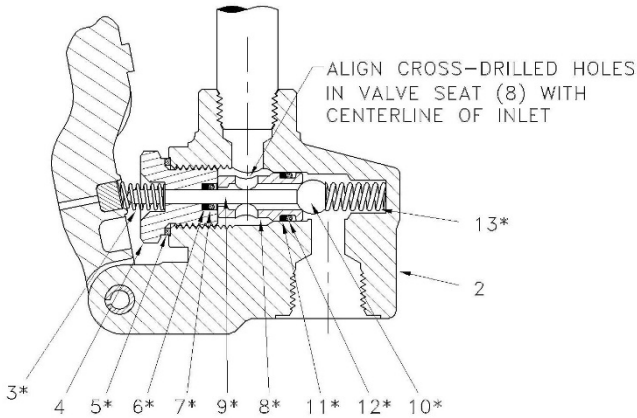


FIGURE 2



\*Included in spare parts kit



***Spraying Systems Co.***<sup>®</sup>

Experts in Spray Technology

North Avenue and Schmale Road, P.O. Box 7900,  
Wheaton, IL 60187-7901

Tel: 1.800.95.SPRAY

Intl. Tel: 1.630.665.5000

Fax: 1.888.95.SPRAY

Intl. Fax: 1.630.260.0842

[www.spray.com](http://www.spray.com)

MI-CW1500A



© Spraying Systems Co. 2019