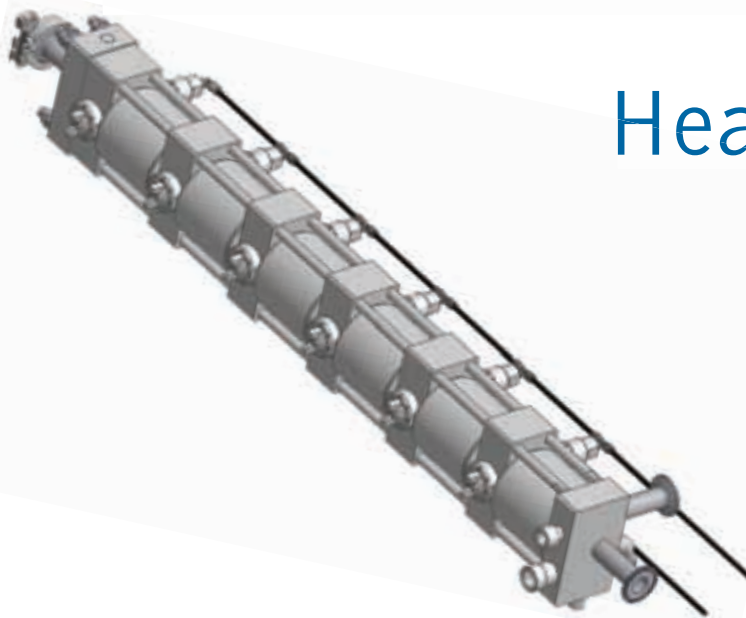




54500 Modular Heated Air Atomizing Manifold



Reduce downtime due to clogging for viscous coating applications

Wax, sugar, syrup, and other viscous liquids thicken or solidify when cooled, making atomization difficult. The 54500's uniquely designed heat exchanger vessels provide highly accurate, uniform temperature control throughout the manifold, keeping atomizing liquids heated to prevent thickening.

Specifications

Compatible with standard Spraying Systems Co. VMAU air atomizing automatic spray set-ups

Patent-pending design enables heat jackets to maintain liquid temperature throughout the entire manifold – body, inlets, nozzles, and air caps

Jacketed liquid remains connected to the heat source while nozzles are being serviced

Various connections available including: NPT, BSPT, sanitary, and compression

Benefits

- Reduces clogging by keeping sprayed liquids from solidifying
- Maintains uniform temperature
- Maximizes heat transfer with continual flow of jacketed liquid throughout the manifold
- Reduces downtime by eliminating the need for cumbersome tubing or heat tracing, the manifold stays connected to the heat source while nozzles are removed for service
- Reduces maintenance time; disassembles in minutes for easy cleaning
- Tools provided for simplified maintenance

Typical Applications



Butter Coating



Chocolate Coating

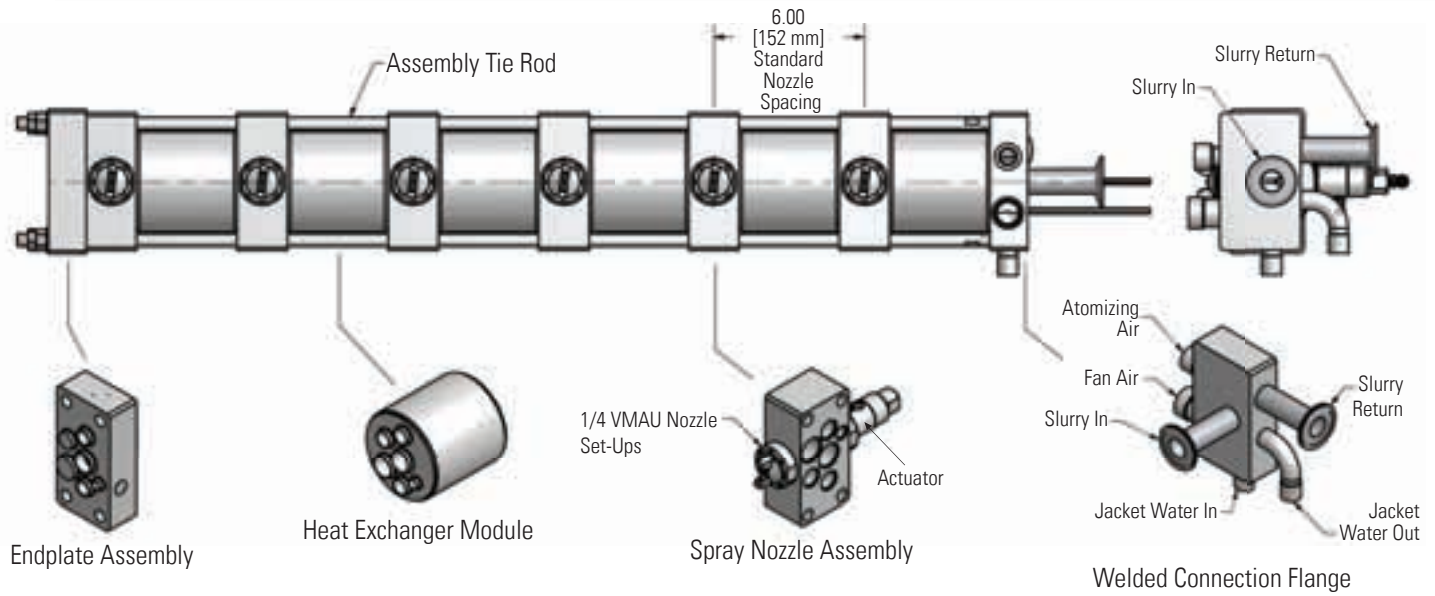


Sugar Coating

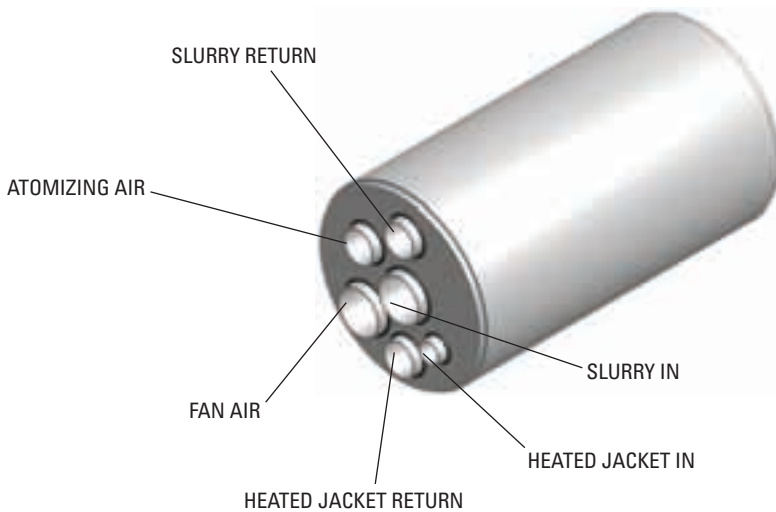
Adhesive Coating
Grease and Oil
Syrup Coating
Viscous Liquid Spraying
Wax Coating

54500 Modular Heated Air Atomizing **Manifold**

Descriptions



Heat Exchanger Module



Multiple Seal/Actuator Options

Choose from multiple seal, diaphragm, actuator and material options to fit your spray application.



Spraying Systems Co.

Experts in Spray Technology

North Avenue and Schmale Road, P.O. Box 7900, Wheaton, IL 60187-7901 USA

Tel: 1.800.95.SPRAY

Intl. Tel: 1.630.665.5000

Fax: 1.888.95.SPRAY

Intl. Fax: 1.630.260.0842

www.spray.com



Spray Nozzles



Spray Control



Spray Analysis



Spray Fabrication

