

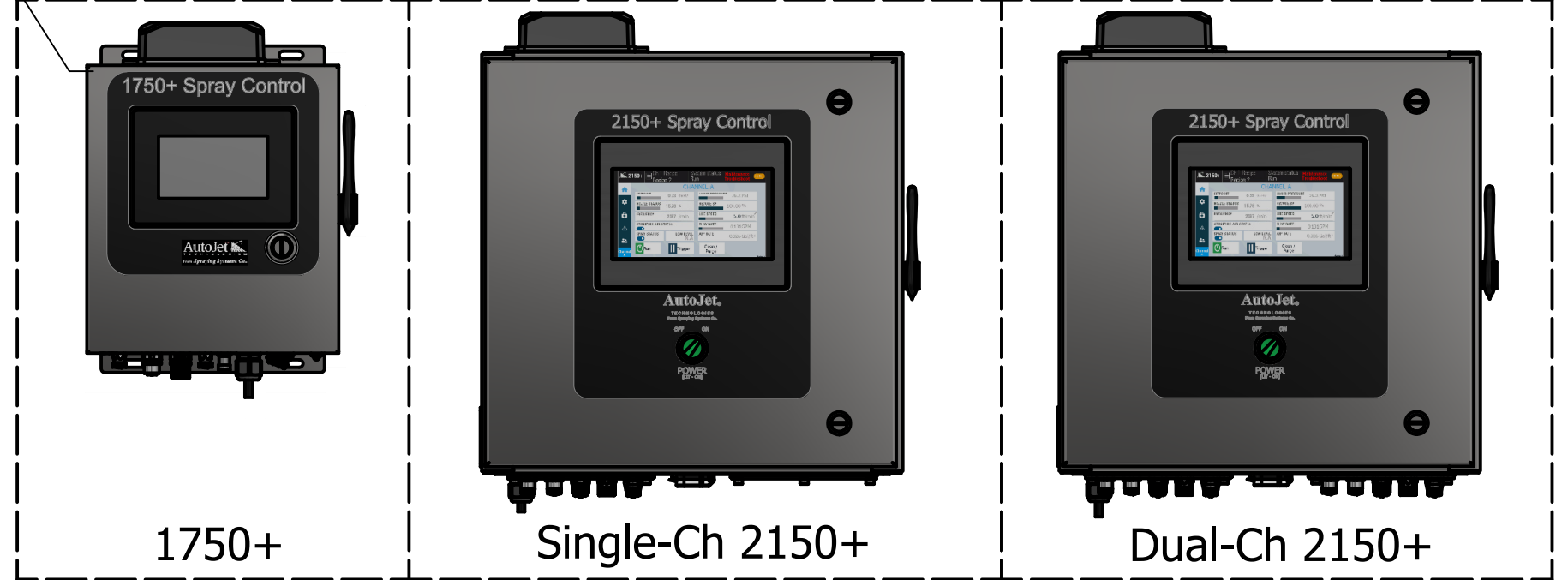
VC10 Heated Spraying System

- Variety of viscous heated applications
- Release agents, coatings, slurries & more
- Many light to heavy viscosity fluids & fluids solid at room temperature
- Spraying temperature applications ranging from 80°F - 200°F (37°C - 93°C)
 - *Temperatures above 180°F will need to be a glycol/water mixture - 50/50*
- Great for applications with multiple large lines that require higher spray temperature while maintaining high flow

System Specifications:

- Sanitary system (shown) | Threaded version available
- Nozzle controller integrated into main control panel - 1750+, or 2150+ (1-2 channel)(24V/48V version)
- Heated Only Option Available (*No 1750+ / 2150+ spray panel*)
- 10-Gal jacketed, pressurized tank in stainless steel with bottom outlet and electro-polished finish
- Hot water pump unit with washdown motor and immersion heater
- Jacketed Strainer with cylindrical mesh screen (*specified screen size when quoting*)
- Small footprint (33" x 32" x 72")
- Electrical Specifications: 480V/3 Ph/30A
- SCS Series Air Control Panel integrated into VC10 panel - Manual liquid pressure, Fan and Atomizing air control
- Beacon Light & Alarm for alerting operators of system status

INTEGRATED SPRAY CONTROL PANEL

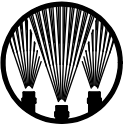


1750+

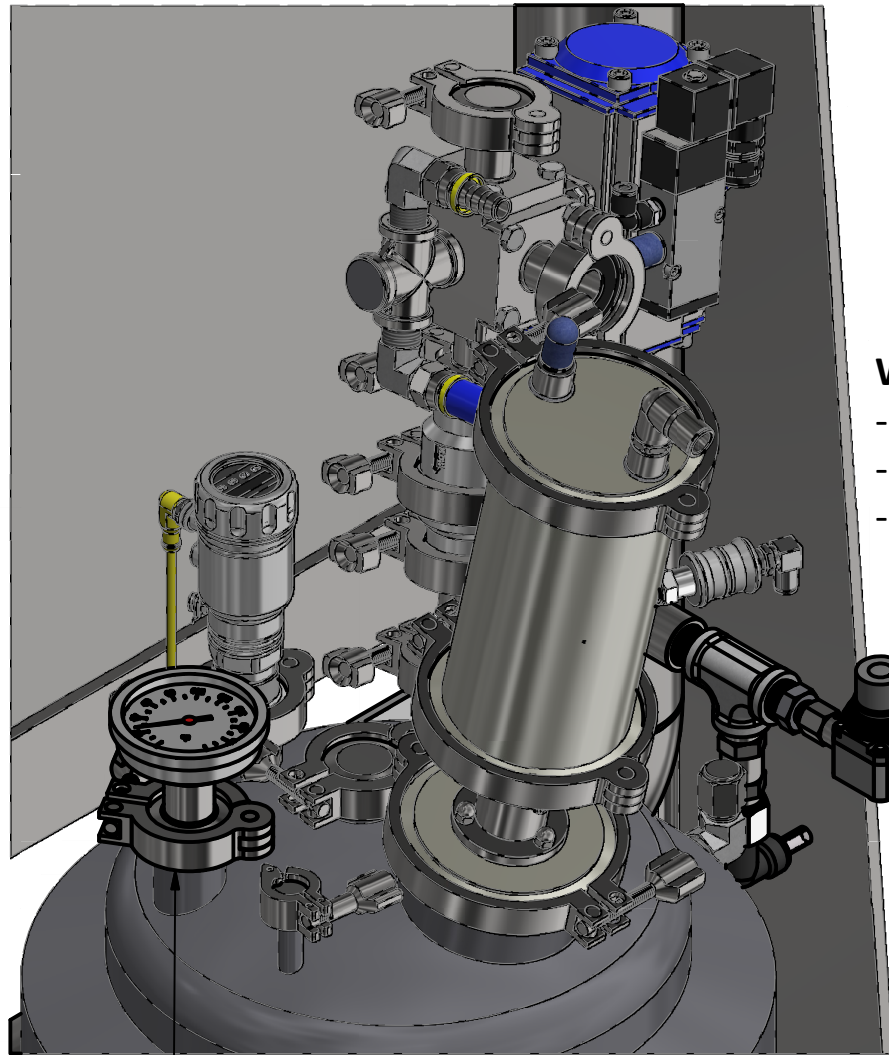
Single-Ch 2150+

Dual-Ch 2150+

DESCRIPTION:
 VC10 Heated Spray System
 Threaded / Sanitary

 Spraying Systems Co. Spray Nozzles and Accessories P.O. Box 7900 - Wheaton, IL 60187-7901		REVISION NO.	Data Sheet No.
		REFERENCE: 2	AccuCoat - VC10
		SHEET: 1 OF 3	DWG SIZE: B

SYSTEM FEATURES



Water Inlet for hot water loop (4)

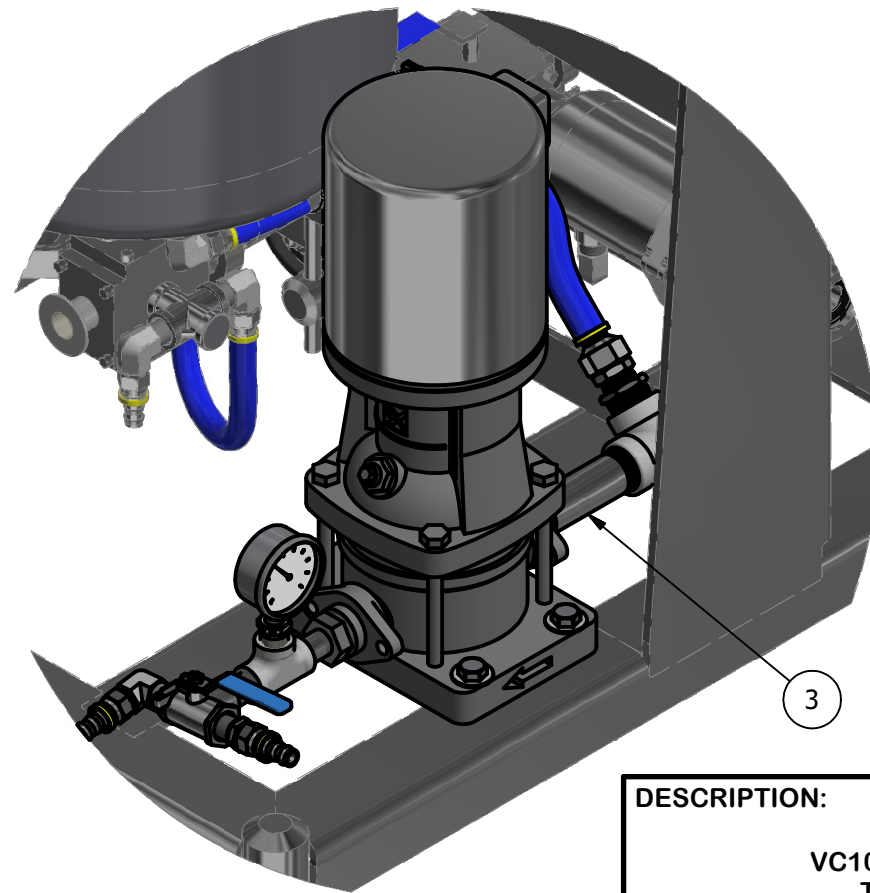
- Manual regulator
- Liquid pressure gauge
- Drain port for overflow & overpressurization

4

5

Thermometer & Gauge (5)

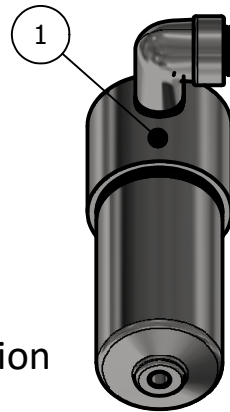
- Analog temperature gauge and probe module
- Provides process liquid temperature in tank



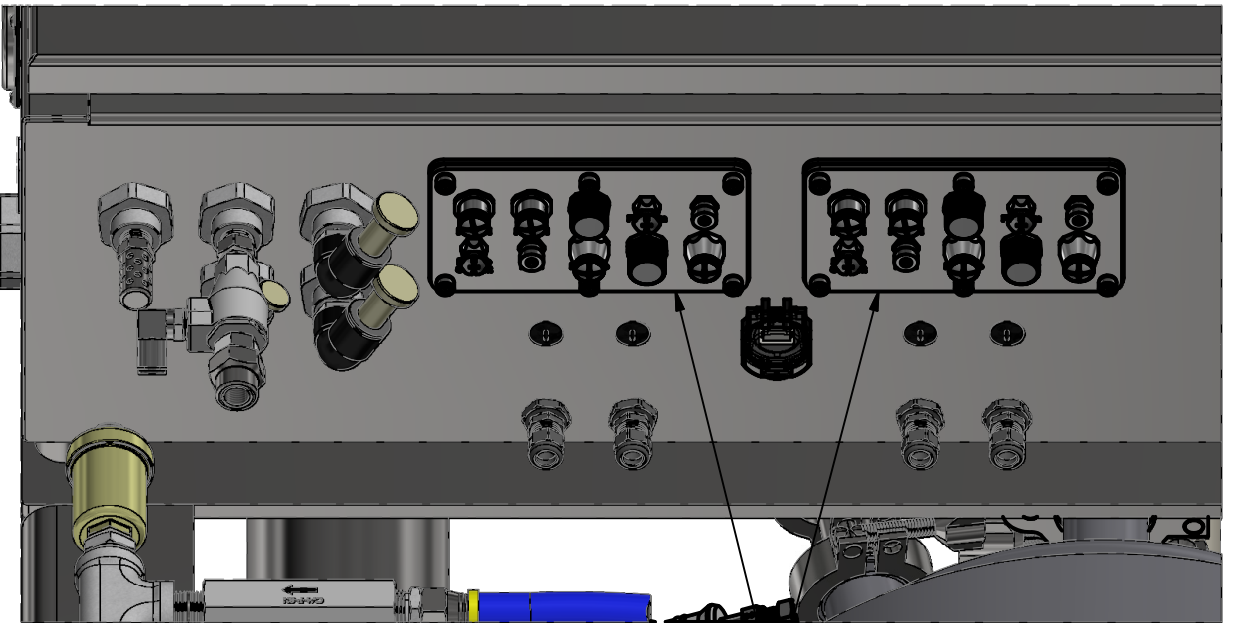
3

Hot water pump (3)

- Hot water delivery for heating loop
- De-Ionized water / Purified water recommended
- Drain valve on outlet of pump



1



2

Main Air Inlet Filter kit (1) *Optional*

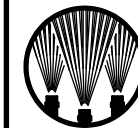
- Air Filter module with stainless steel construction
- 5 micron filter porosity
- Semi-automatic drain port

Plug & Spray Quick-Connect Bulkheads (2)

- Quick-Connect M12/M8 electrical bulkheads
- Ethernet I/P port available (*additional charge for Ethernet access*)
- Minimize setup time and wiring confusion

DESCRIPTION:

VC10 Heated Spray System
Threaded / Sanitary



Spraying Systems Co.[®]

Spray Nozzles and Accessories
P.O. Box 7900 - Wheaton, IL 60187-7901

REVISION NO.

Data Sheet No.

REFERENCE:

AccuCoat - VC10

2

SHEET: 2 OF 3

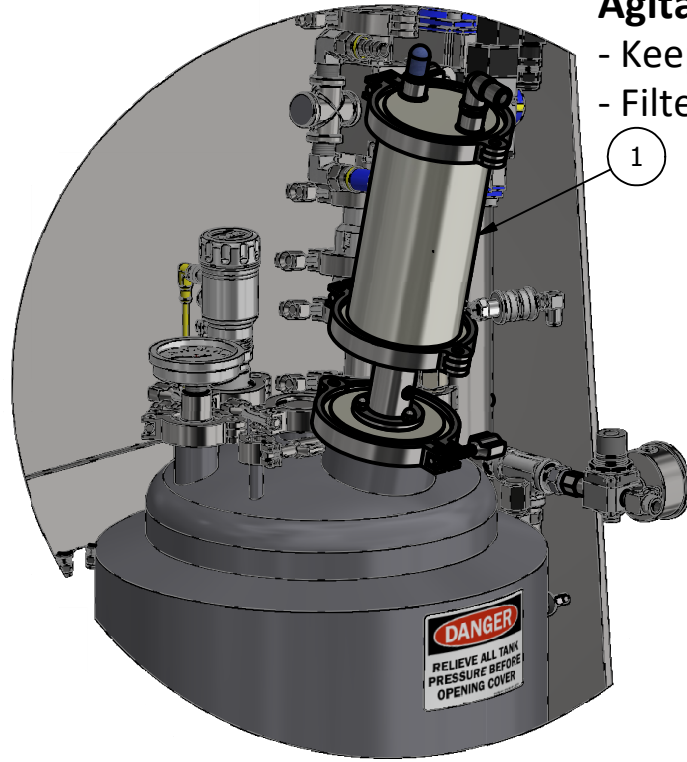
DWG SIZE:

B

ACCESSORY EQUIPMENT

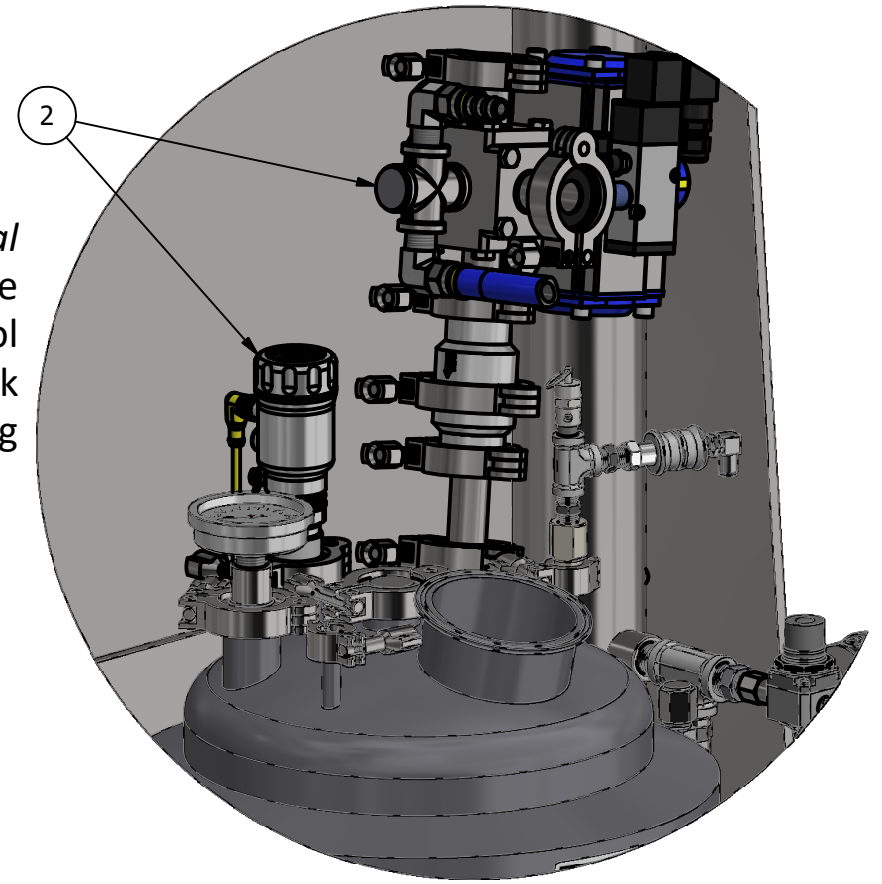
Agitator/Mixer (1) Optional

- Keep process liquid suspended
- Filter/ Lubricator / Regulator module included



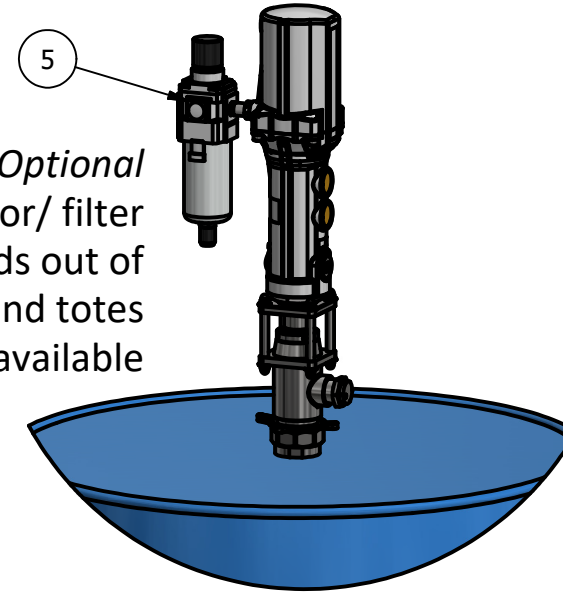
Auto-Refill Module (2) Optional

- Sanitary module (shown) | Threaded version available
- Programmable Level Sensor for automated refill control
- Auto-refill setup connected directly to top of fluid supply tank
- Refill while still spraying



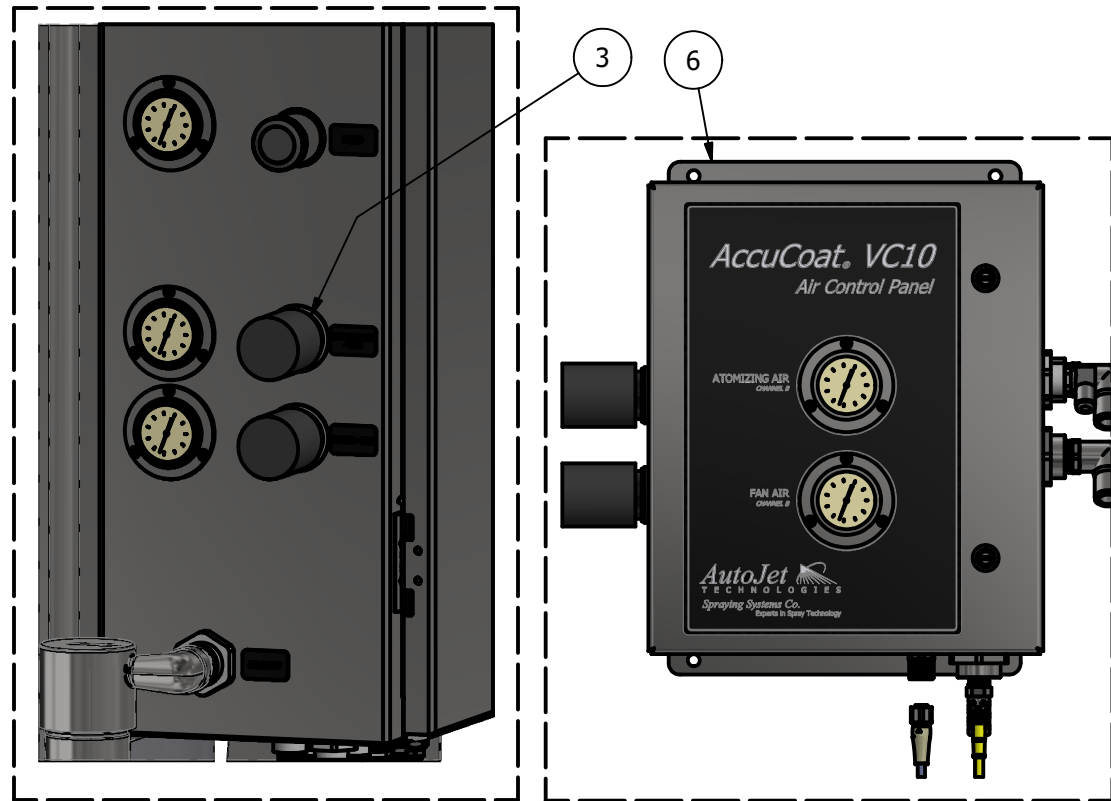
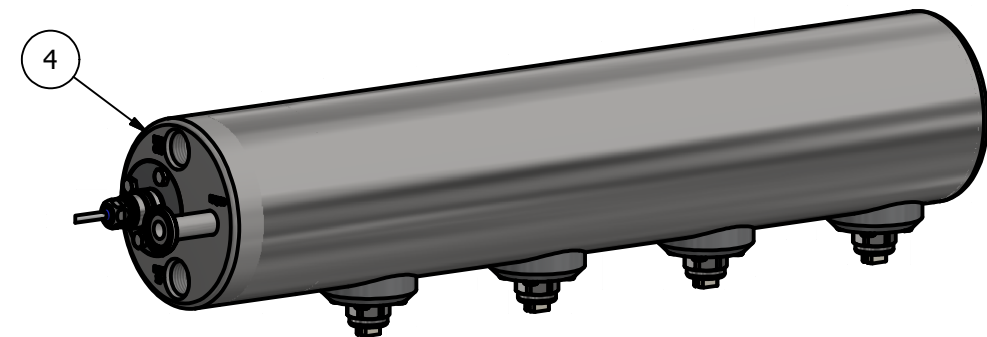
Transfer Pump (5) Optional

- Air driven, Piston pump, with air regulator/ filter
- Easily transfer low to heavy viscosity liquids out of drums and totes
- Threaded version (shown) | Sanitary version available



63600-PJ Spray Nozzle Manifold (4) Optional

- 63600A Atomizing Air manifold available
- Convenient method of plumbing and mounting multiple automatic spray nozzles
- Lightweight, modular design and construction simplifies installation and provides easy nozzle access for maintenance
- Clean sanitary design provides ease of cleaning and no exposed fluid, air, or electrical lines

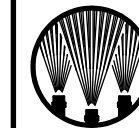


Air Control Module (3) & 2nd-Channel Air Control Module (6) Optional

- Manual Liquid, Atomizing & Fan air pressure control
- Integrated into VC10 Control Panel (*Channel A only*)
- Channel B external (*wall-mount*) panel
- Stainless steel wash down enclosure

DESCRIPTION:

VC10 Heated Spray System
Threaded / Sanitary



Spraying Systems Co.[®]

Spray Nozzles and Accessories
P.O. Box 7900 - Wheaton, IL 60187-7901

REVISION NO.

Data Sheet No.

REFERENCE:

AccuCoat - VC10

2

SHEET: 3 OF 3

DWG SIZE: B