

# Mill Coating System

## Spray Control Benefits In Mill Coating System (1)

- Shred or crush aggregate material
- Produced to precise application for improved product quality
- Automated application
- Minimize misting

## Control Panel (2)

- AutoJet® Model 1750+
- Control automatic spray nozzles
- Set operating parameters
- Multiple timing modes for; fixed, variable, and repeat spray patterns
- Mounted on fluid delivery cart (optional)

## Delivery Module (3)

- PulsaJet® automatic electric spray nozzle provides accurate, rapid and repeatable dose sizes
- Sanitary manifold with enclosed fluid and electrical lines (optional)

## Pump Version (4)

- Durable, air operated diaphragm pump that requires liquid to be supplied by means of a tote or a tank
- Liquid regulator precisely controls pressure and reducing pulsations from the pump

## Air Control Package (ACP) (5)

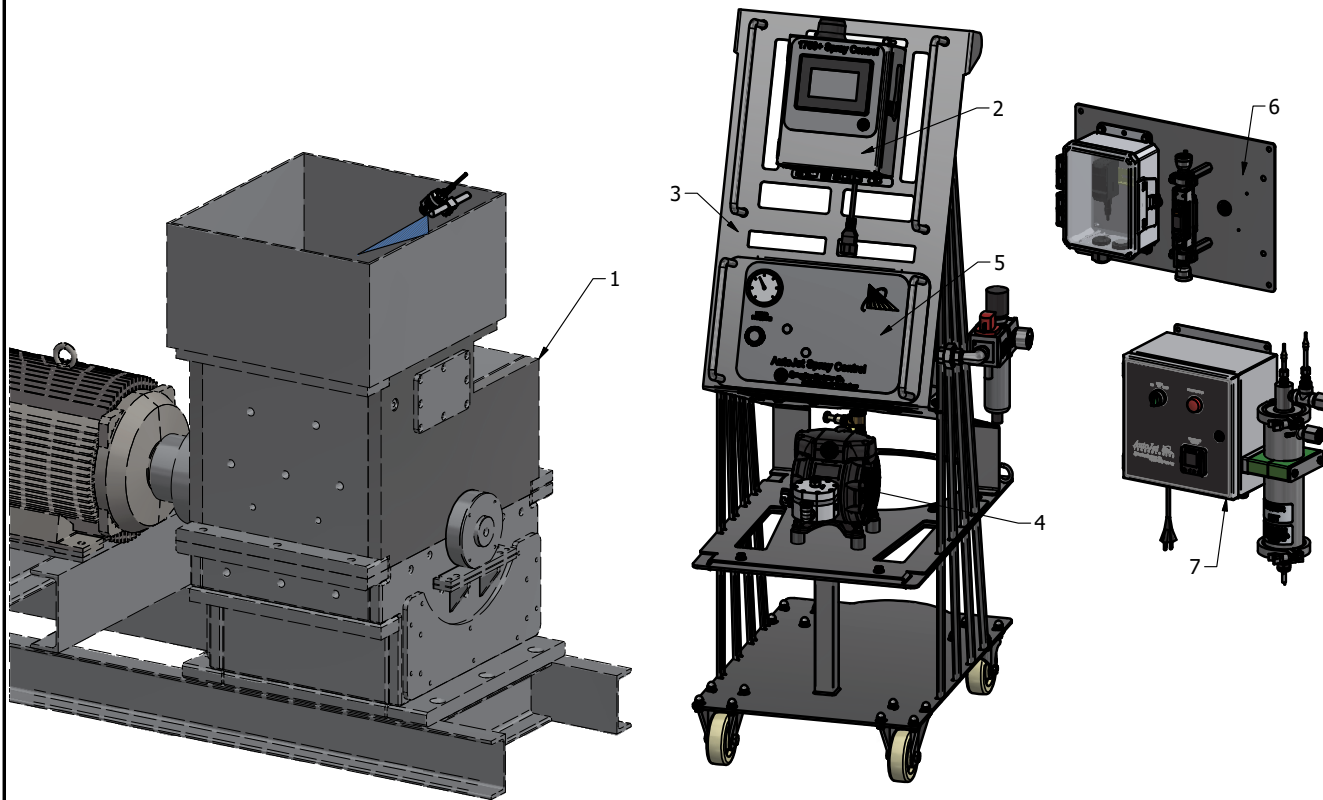
- Precision control of liquid pressure
- Regulated air supply to pump

## Flow Meter (6)

- Displays flow readings on the display
- Monitor for proper coating volumes
- Customer to process signals and power meter

## AccuCoat® HD15 In-Line Heater (7)

- Temperature control (up to 130°F)
- Maintain consistent performance seasonally
- Improved spray performance
- Reduces viscosity



### DESCRIPTION:

Mill Coating System  
SCS Series

Pet Food & Rendering



**Spraying Systems Co.**  
Spray Nozzles and Accessories  
P.O. Box 7900 - Wheaton, IL 60187-7901

REVISION NO.

1

Data Sheet No.

**Mill Coating - SCS**

Revision Date:

4/27/22

SHEET: 1 OF 1

DWG SIZE: B