



Plastic Brush Headers

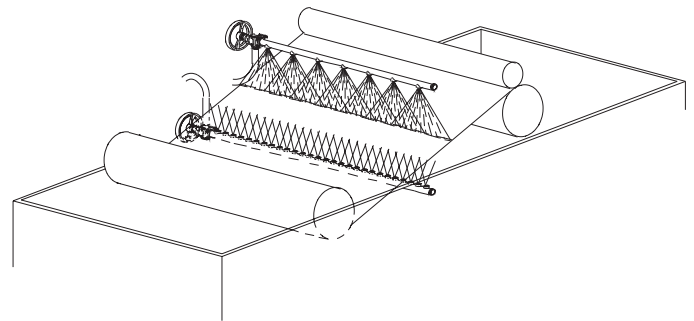


ShowerJet Nozzles

# PLASTIC BRUSH HEADERS

## MINIMIZE CLOGGING AND MAINTENANCE WITH SELF-CLEANING HEADERS

Brush headers are used in a variety of industries such as steel and paper production. An internal rotating brush assembly scrubs the interior wall of the shower as well as each shower nozzle orifice or strainer to prevent clogging and help ensure long nozzle wear life. In just a few seconds, debris is swept away through the drain hole, restoring full liquid flow to the system. Made from corrosion resistant materials, these headers can be used in environments too harsh for a stainless steel header. The internal brush is made from CPVC and polypropylene, the internal shaft is made from titanium, and the piping and nozzles are polypropylene. The flange, turning wheel, and bolt connections are made from type 316 stainless steel. The plastic brush showers include automatic types, manual types and oscillator types.

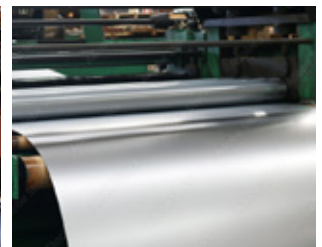


## FEATURES

- All headers are built-to-order and are designed and fabricated according to the production specifications
- The international patent-pending, ShowerJet spray nozzles and the spray pattern is opposite to that of general spray nozzles
- Header sizes available: 40A (O.D. 1-1/2") and 50A (O.D. 2")
- Max. operating pressure: 72.5 psi (5 bar)
- Recommended temperature for use: max 122°F (50°C)

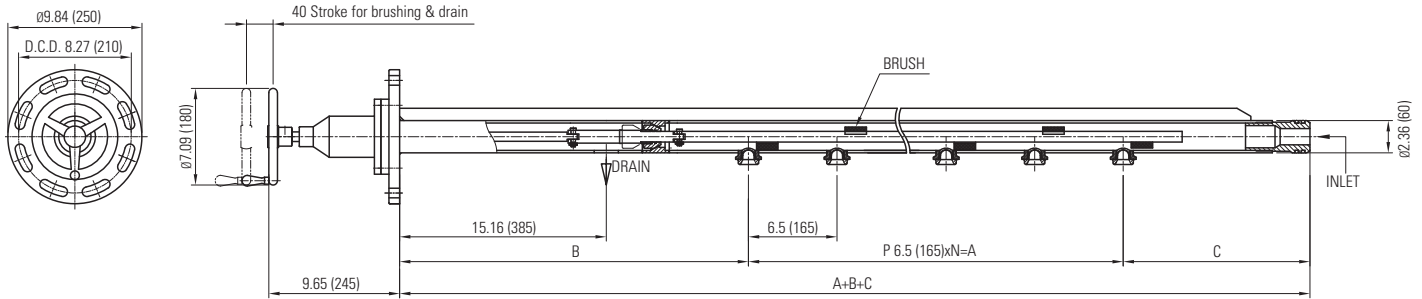
IDEAL FOR:

- Pickling Line
- Rinse Line



# PLASTIC BRUSH HEADERS

## DIMENSIONS (MANUAL TYPE)



Unless otherwise specified: all dimensions given in inches. Numbers in parenthesis are millimeters.

## DATA SHEET FOR SHOWERJET NOZZLE

Spray Angle	Size No.	Orifice Diameter in. (mm)	Flow Rate Capacity gallons per minute (liters per minute)		
			20 psi (1.5 bar)	40 psi (3 bar)	72.5 psi (5 bar)
60°	6002	.039 (1.0)	0.16 (0.64)	0.23 (0.91)	0.3 (1.17)
	6003	.047 (1.2)	0.23 (0.92)	0.33 (1.3)	0.44 (1.68)
	6004	.059 (1.5)	0.30 (1.2)	0.43 (1.7)	0.57 (2.2)
	6006	.071 (1.8)	0.43 (1.7)	0.61 (2.4)	0.82 (3.1)
	6008	.079 (2.0)	0.56 (2.2)	0.79 (3.1)	1.1 (4.0)
	6010	.087 (2.2)	0.72 (2.8)	1.0 (4.0)	1.4 (5.1)
	6012	.098 (2.5)	0.88 (3.5)	1.2 (4.9)	1.7 (6.4)
	6016	.110 (2.8)	1.1 (4.5)	1.6 (6.3)	2.1 (8.2)
	6020	.118 (3.0)	1.4 (5.5)	2.0 (7.8)	2.7 (10.0)
	6025	.138 (3.5)	1.8 (7.2)	2.6 (10.1)	3.4 (13.2)
	6031	.157 (4.0)	2.2 (8.8)	3.1 (12.4)	4.2 (16.1)
	6040	.177 (4.5)	2.9 (11.3)	4.0 (15.9)	5.5 (20.6)
	6049	.197 (5.0)	3.5 (13.7)	4.9 (19.4)	6.7 (25.0)
	6078	.236 (6.0)	5.6 (22)	7.9 (31)	10.7 (40)
	6099	.276 (7.0)	7.0 (28)	9.9 (39)	13.3 (51)
	60124	.315 (8.0)	8.8 (35)	12.4 (49)	16.8 (64)



**Spraying Systems Co.®**  
Experts in Spray Technology

North Avenue and Schmale Road, P.O. Box 7900, Wheaton, IL 60187-7901 USA

Tel: 1.800.95.SPRAY    Intl. Tel: 1.630.665.5000  
Fax: 1.888.95.SPRAY    Intl. Fax: 1.630.260.0842

www.spray.com



Bulletin No. 801 ©Spraying Systems Co. 2023