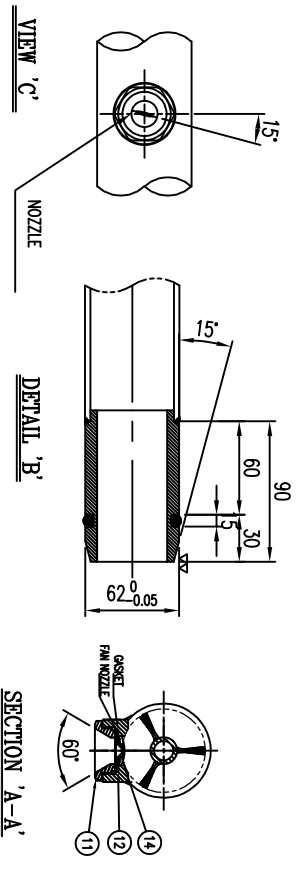
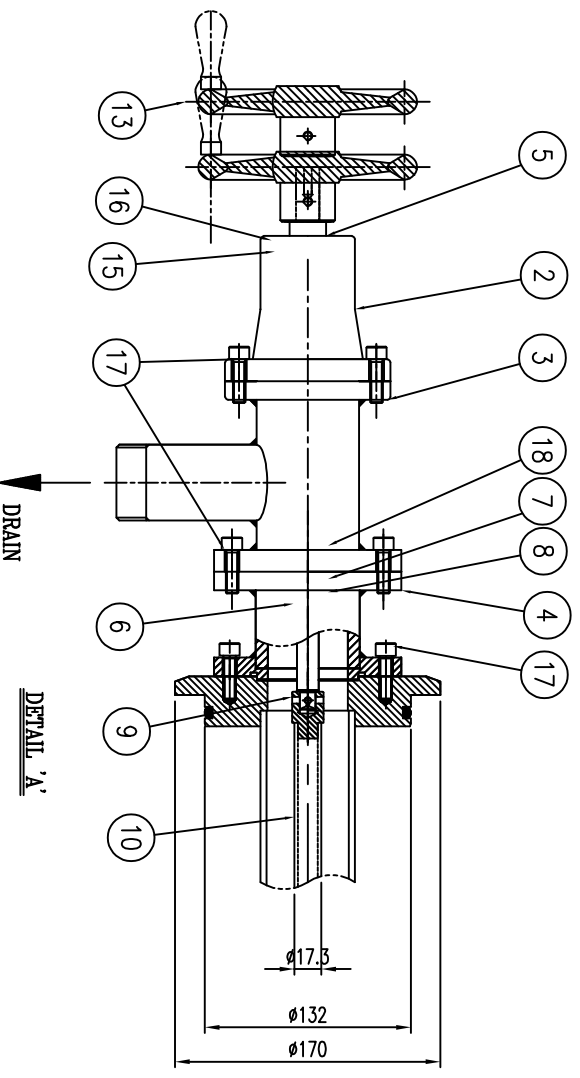
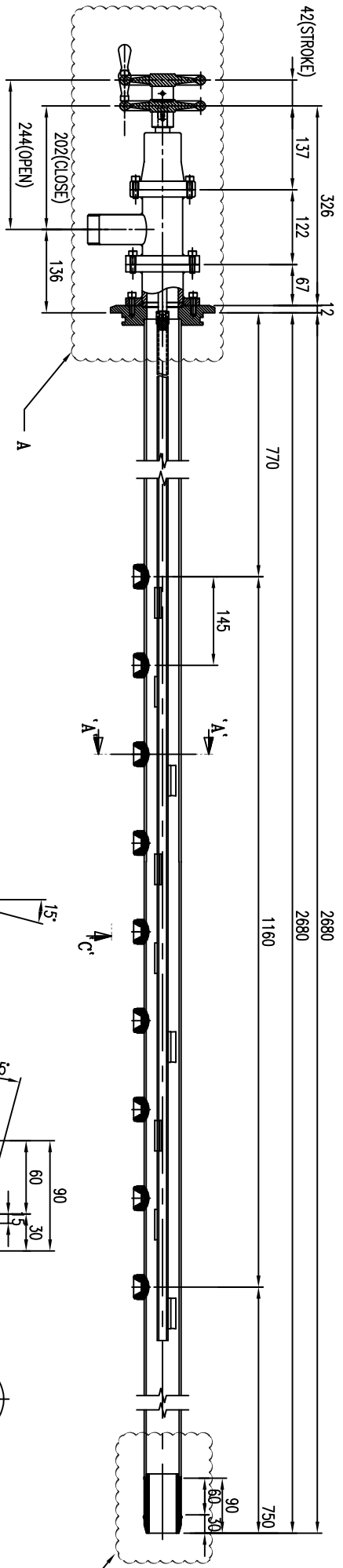


NO.	DATE	REVISION & DESCRIPTION	SIGNATURE
			REMOVED
			CHECKED



ITEM	COMPONENT	MATERIAL	QTY	REMARKS
18	STOPPER RING	STS316	1	
17	WRENCH BOLT	-	12	
16	SNAP RING	STC85	1	
15	BEARING	STS304	1	
14	NOZZLE	STS316	9	
13	HANDLE	SSC	1	
12	NOZZLE GASKET	TEFLON	9	
10	BRUSH PIPE	STS316	9	
9	PIN	STS316	1	
8	SPRING	STS316	1	
7	BRACKET-UP RING	STS316	1	
6	VALVE SEAL	TEFLON	1	
5	SHAFT	STS316	1	
4	VALVE BODY	STS316	1	
3	CONNECT FLANGE	STS316	1	
2	SHAFT GUIDE	STS316	1	
1	BODY ASSEMBLY	STS316	1	

DESC.	BAL SELF CLEANING SPRAY HEAD (CLEANING) ASSEMBLY	CUSTOMER :	STS192 BAL
APP BR.		ASTY DWG No. :	SCSH-2680-50A-9NZ-6025
CH BR.		USA DWG. NO. :	BLANK DWG. NO.
DES BR.			